

PALFINGER

P 240 AXE SMART

**THERE IN A FLASH,
COMPACT SET-UP
AND FLEXIBLE HEIGHT**

LIFETIME EXCELLENCE



TECHNICAL SPECIFICATIONS

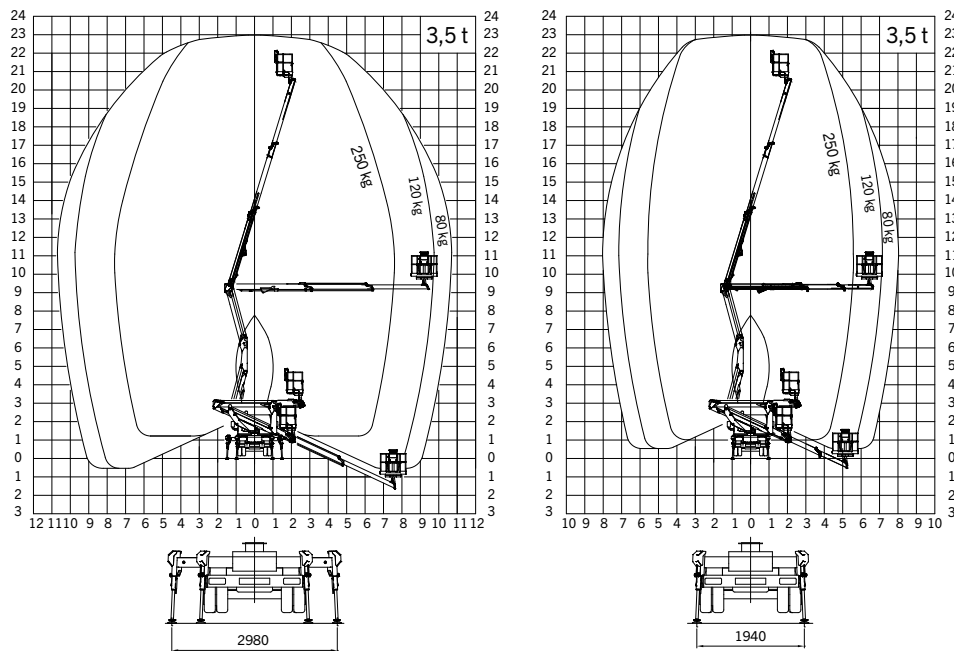
Max. working height	23.0 m
Max. basket bottom height	21.0 m
Max. outreach	10.8 m
Angle of main boom	-25° a + 73°
Turntable rotation	370°
Basket rotation	2 x 90°
Basket load	250 kg
Size of basket	1.4 x 0.85 x 1.1 m
Height in transport position	2.89 m
Width in transport position	2.1 m
Length in transport position	5.39 m
Can be driven with a class B license	

OPTIONAL

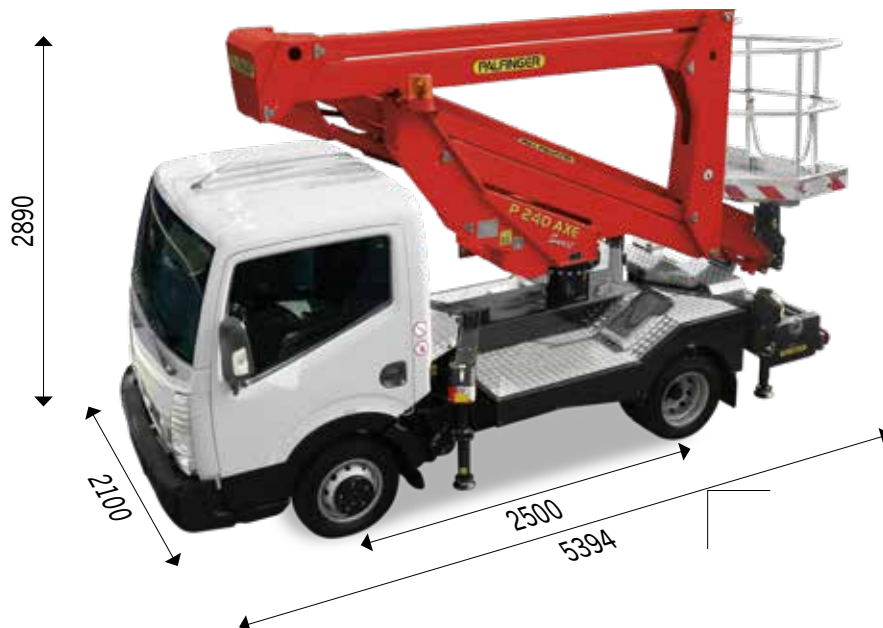
Fiberglass basket
Working adjustable light 60 W on the basket
Insulation 1000 V
12 V electric pump
Aluminium side panels
Customised paintwork boom

WORKING DIAGRAMS

At the front, the 2 outriggers are installed on hydraulically extendable arms that generate 2 stabilisation set-ups.



DIMENSIONS



SALES DEALER